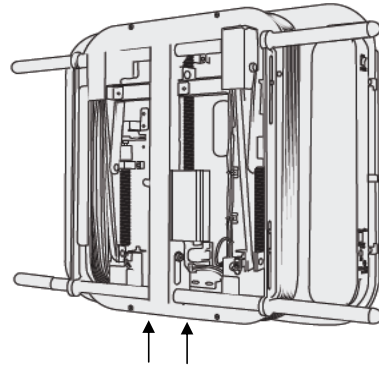


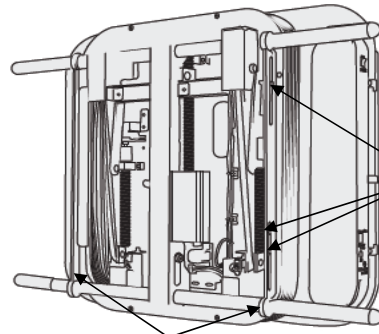
## Bellows Replacement Instructions

1. Send the X-arm unit to the retracted/home position.
2. Power off and unplug the X-arm unit.
3. Remove TV.
4. Disconnect all AV wires and power cords.
5. Using a Philips screw driver loosen the two security screws and remove X-arm unit from mounting surface.



Security Screws

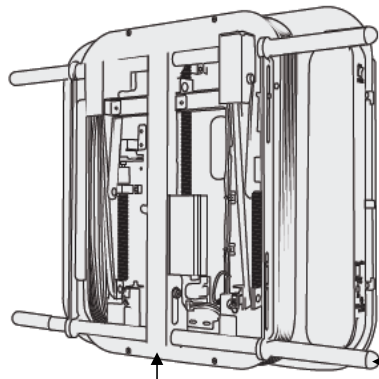
6. Using a Philips screw driver remove the 2 bellows guide hooks by unscrewing the 6 screws (3 screws per hook).



Screws  
3 per hook

Bellow Guide Hooks

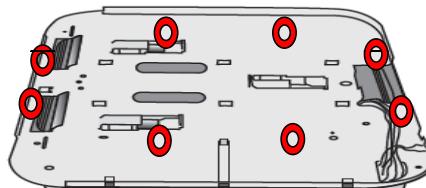
7. Plug-in the X-arm unit and extend the unit by pressing the select in/out button. Power off and unplug the X-arm unit. Using the hex wrench provided with the X-arm hardware package remove the bottom Cross Bar by loosening the hex screw located in the center of the mounting bracket and slide out the Cross Bar.



Cross Bar

Hex Screw

8. Turn the X-arm unit over and remove the 8 nuts which secure the bellows to the base plate.



9. Once the nuts are removed turn the X-arm unit over and pull the bellows away from the base plate. Remove the bellows by maneuvering around the top Cross Bar.

10. Follow the same instructions in reverse order for installing the replacement bellows.