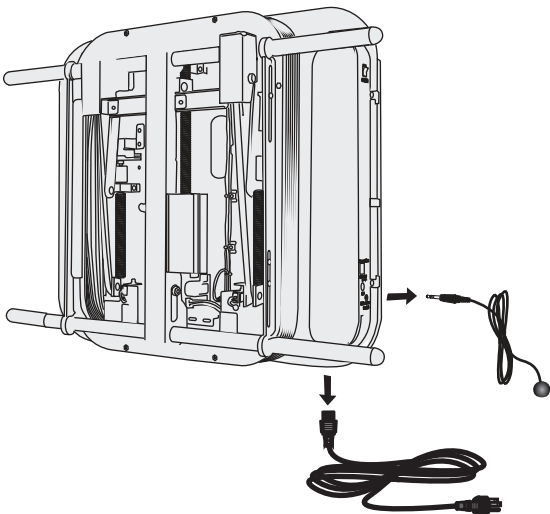
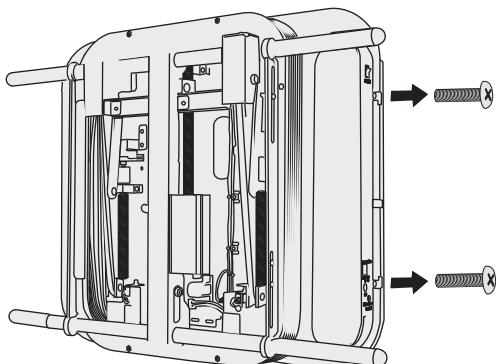


X-arm Control Box Replacement

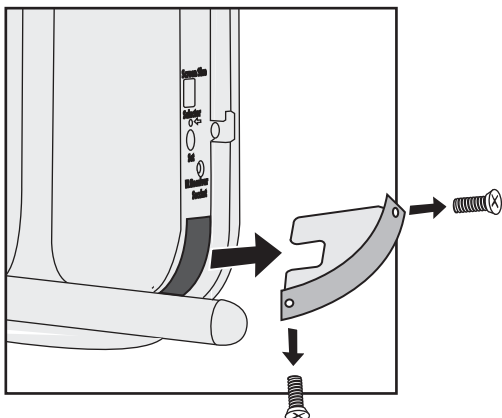
1. Unplug the power cord and IR Receiver.



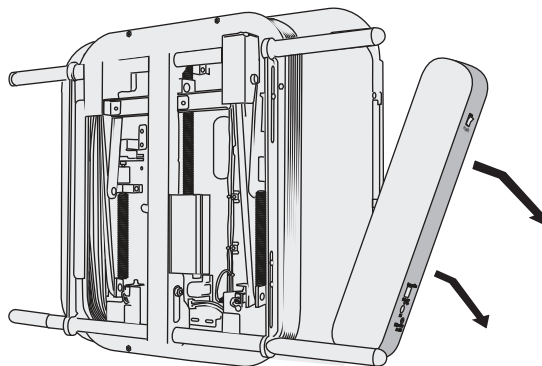
2. Remove the screws from the side of the control box and save them.



3. Remove the screws from the control box cover and remove it.

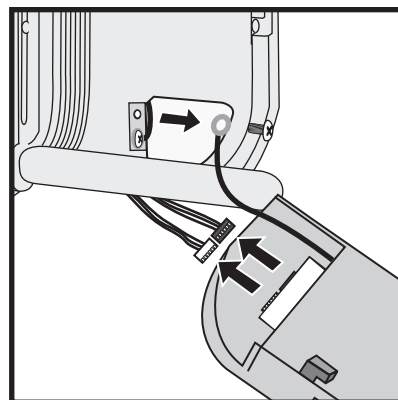


4. Slide the control box away from the X-arm.

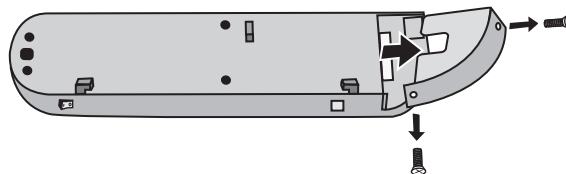


5. Unplug both connectors, making sure to release the locks under the connectors.

Remove the grounding wire connecting the control box to the X-arm frame.



6. Remove the cover from the new control box.



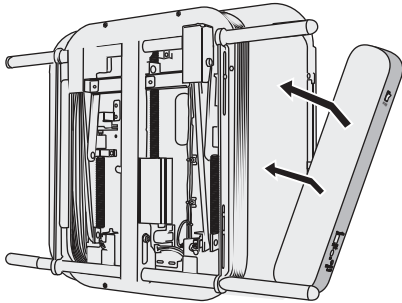
7. Reverse the action performed in step 5 by routing the grounding wire from the new control box to the X-arm, attaching it with the screw from step 5.

Route the wire bundles from the X-arm through the wire hole, and attach them to the connectors of the same color on the control box. The connectors ends only fit one way so do not force them.

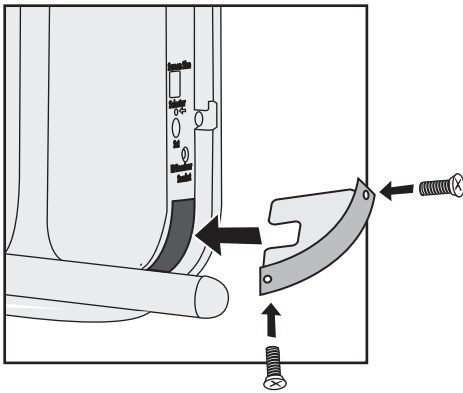
X-arm Control Box Replacement (Continued)

8. Line up the three hooks on the control box with the slots in the X-arm.

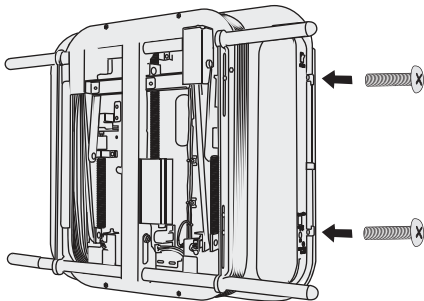
Slide the control box onto the X-arm.



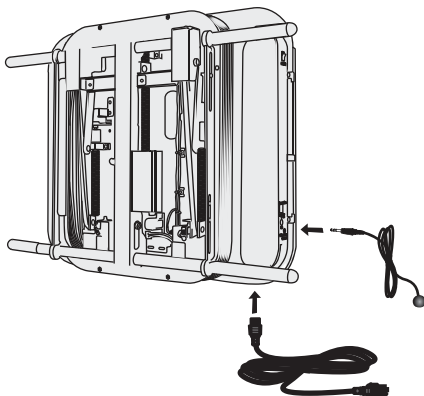
9. Attach the control box cover.



10. Secure the control box to the X-arm with the screws from the old control box.



11. Attach the power cord and IR Receiver. Plug the X-arm into a grounded power outlet.



12. If X-arm is in the home position against the wall, continue to step 13. If not, follow these steps to get X-arm into the home position:

12-1. Press the POWER switch to ON (1).

12-2. Insert the provided plastic pointer into the Selector hole, and press the button until the LED reads "t".

12.3. Use the remote control to straighten X-arm so that it is parallel with the wall. Once parallel with the wall, press the "Set" button on the control box for three seconds. X-arm should return to the home position.

13. Set the TV size code (see below).

13-1. Press the POWER switch to ON (1).



13-2. Measure the total width of the TV including any side speakers that may be attached to the TV.

13.3. Insert the provided plastic pointer into the Selector hole, and press the button until the TV width code corresponds to the outside width of your TV (see below).

Code	TV Outside Width
C1	40" - 44.9" (102 - 113 cm)
C2	45" - 48.9" (114 - 123 cm)
C3	49" - 55.9" (124 - 140 cm)
C4	56" - 61.0" (141 - 155 cm)

13.4. Hold the Set button until the LED display stops blinking.

14. Mount the TV as shown in your manual.

15. Recalibrate the X-arm to your TV. To avoid damage, X-arm must be in the home position before you calibrate it.

15-1. Switch off the main power on the side of X-arm.

15-2. Hold down the Set button on the control box while switching on the power. Continue holding down the Set button for 5 seconds until the display reads CT.

15-3. Stand back while X-arm™ calibrates, moving in - out, left - right and up - down.

15-4. X-arm™ is done calibrating when it goes back to the home position against the wall.